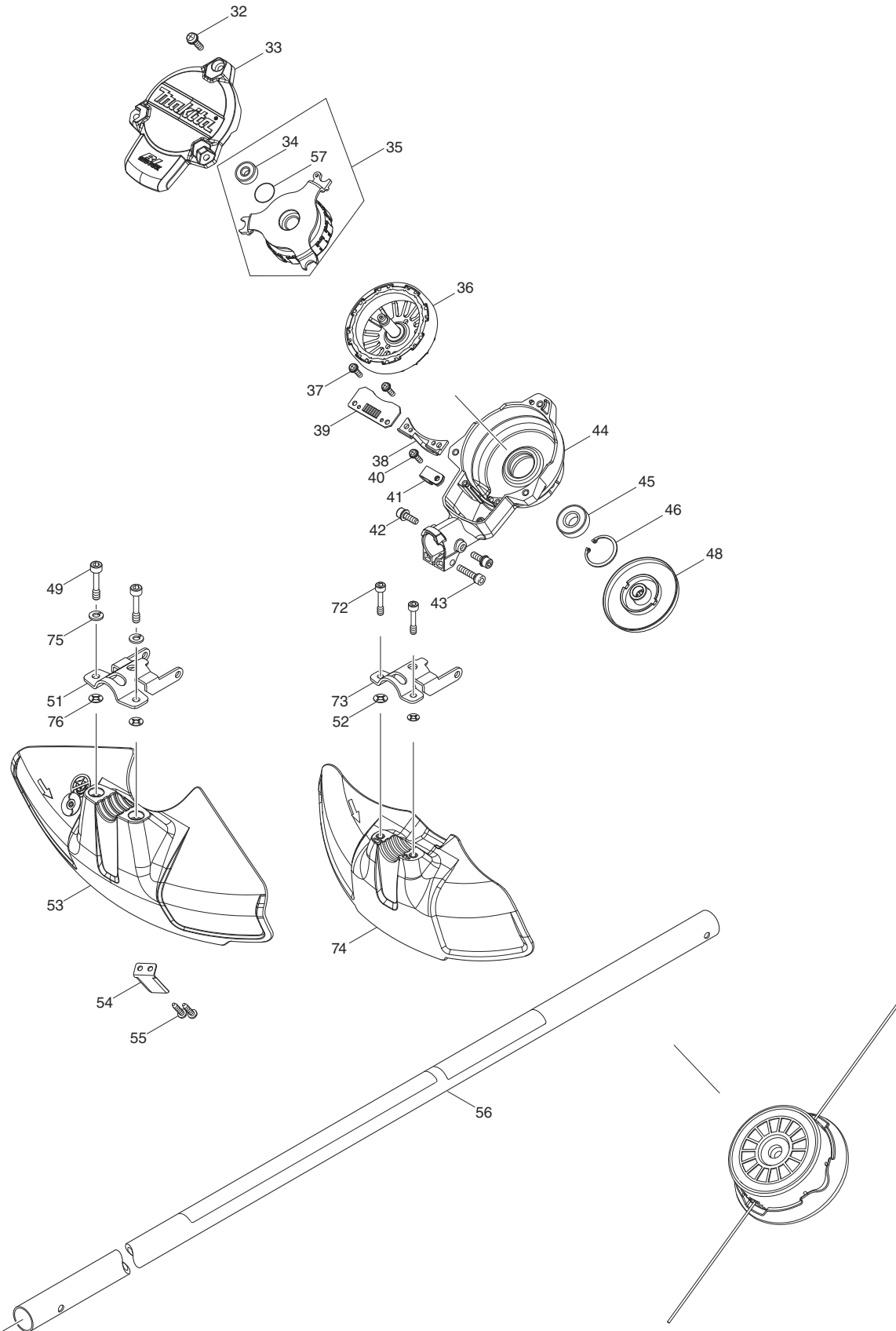


DUR368L



DUR368L

PARTS LIST

Item No	Type	Part No	Description	Qty	Unit
001		183A19-1	GRIP SET	1	SET
002		699119-6	POWER SUPPLY CORD UNIT	1	PC.
003		687260-7	STRAIN RELIEF	1	PC.
004		266326-2	TAPPING SCREW 4X18	1	PC.
005	2	413Y35-6	LOCK OFF LEVER	1	PC.
006		233621-5	TORSION SPRING 9	1	PC.
007		455625-9	SWITCH LEVER	1	PC.
008		632E26-0	SWITCH UNIT	1	PC.
009		140L82-3	SUB CONTROLLER COMPLETE US	1	PC.
009	INC.	819N38-6	SWITCH LABEL	1	PC.
009	INC.	819N40-9	INDICATION LABEL	1	PC.
010		233612-6	TORSION SPRING 10	1	PC.
011		922228-9	H.S.H.BOLT M5X18 WITH WR	1	PC.
013		266326-2	TAPPING SCREW 4X18	6	PC.
014		699067-9	POWER SUPPLY CORD UNIT	1	PC.
015		183L33-3	HOUSING SET	1	SET
015	INC.	263005-3	RUBBER PIN 6	4	PC.
015	INC.	252126-6	HEX. LOCKING NUT M4-7	3	PC.
017		346248-3	CLAMP 24	1	PC.
018		266326-2	TAPPING SCREW 4X18	1	PC.
019		687260-7	STRAIN RELIEF	1	PC.
020		266326-2	TAPPING SCREW 4X18	1	PC.
021	1	620B09-4	* CONTROLLER	1	PC.
021	2	620J63-6	* CONTROLLER	1	PC.
022		644808-8	TERMINAL	2	PC.
024		855V75-4	DUR368L NAME PLATE	1	PC.
025		266326-2	TAPPING SCREW 4X18	7	PC.
026		251314-2	+ SCREW M4X12	1	PC.
027		251314-2	+ SCREW M4X12	2	PC.
028		346858-6	BATTERY GUARD	1	PC.
029		168478-4	HANGER	1	PC.
030		922228-9	H.S.H.BOLT M5X18 WITH WR	1	PC.
032		911233-1	PAN HEAD SCREW M5X20	3	PC.
033		455626-7	TOP COVER	1	PC.
034	2	210269-0	BALL BEARING 607ZZ	1	PC.
035	4	592E25-3	* STATOR ASS'Y	1	PC.
035	4	INC.	Item No. 34,57		
036		619462-7	ROTOR	1	PC.

Item No	Type	Part No	Description	Qty	Unit
037		911128-8	P.H.SCREW M4X16 WITH WR	2	PC.
038		455628-3	INNER COVER	1	PC.
039	3	620J62-8	* CONTROLLER B	1	PC.
040		911128-8	P.H.SCREW M4X16 WITH WR	1	PC.
041		687042-7	STRAIN RELIEF	1	PC.
042		922223-9	H.S.H.BOLT M5X16 WITH WR	2	PC.
043		922241-7	HEX. SOCKET HEAD BOLT M5X25	1	PC.
044		143039-1	MOTOR HOUSING COMPLETE	1	PC.
045		211131-2	BALL BEARING 6001DDW	1	PC.
046		962106-1	RETAINING RING R-28	1	PC.
048		140L84-9	RECEIVE WASHER COMPLETE G	1	PC.
049		266579-3	HEX SOCKET HEAD BOLT M6X30	2	PC.
051		346073-2	PROTECTOR CLAMP	1	PC.
053		459504-3	PROTECTOR N 380	1	PC.
054		346855-2	CUTTER	1	PC.
055		266326-2	TAPPING SCREW 4X18	2	PC.
056		143856-9	PIPE COMPLETE L	1	PC.
056	INC.	809N08-3	CAUTION LABEL	1	PC.
056	INC.	819312-8	MAKITA LOGO LABEL	1	PC.
057		213325-5	O RING 19	1	PC.
075		253428-3	SPRING WASHER 6	2	PC.
076		413143-3	WASHER	2	PC.
078		855V83-5	DUR368L SERIAL NO. LABEL	1	PC.
079		451601-1	SPACER 24	1	PC.
080		457269-1	PIPE HOLDER 24	1	PC.
081		922244-1	H.S.H.BOLT M5X25 WITH WG	1	PC.
082		424942-8	DAMPER	1	PC.
083		347114-7	LOWER CLAMP 35	1	PC.
084		347113-9	UPPER CLAMP 35	1	PC.
085		457267-5	LOOP HANDLE	1	PC.
086		922234-4	H.S.H.BOLT M5X20 WITH WG	2	PC.
A01	2	127508-0	BAND ASSEMBLY (SHOULDER HARNESS)	1	PC.
A02	2	191R00-0	BUMP&FEED ECO 4" TRIMMER HEAD ASSY M10X1.25LH	1	PC.
A03		195246-2	SAFETY GOGGLE	1	PC.
A06		783202-0	HEX. WRENCH 4	1	PC.
A07		831304-7	ACCESSORY BAG	1	PC.
A08		783217-7	HEX. WRENCH 5	1	PC.
A09	2	T-03551	NYLON CORD, 40 LOOP ULTRA .080" GREEN	1	PC.
A10		197473-7	NYLON CORD, SPIRAL DIA 2.0MMX30M	1	PC.

Item No	Type	Part No	Description	Qty	Unit
A11		197474-5	NYLON CORD, SPIRAL DIA 2.0MMX160M	1	PC.
A12		197475-3	NYLON CORD, SPIRAL DIA 2.0MMX280M	1	PC.

SERVICE CHANGES: DUR368L

1. Changes on Controller B, Controller and Stator Assembly

(T/I/#DG044)

Item No.	Description	Type 1	Type 2
39	CONTROLLER B	620E48-2	620J62-8
21	CONTROLLER	620B09-4	620J63-6
35	STATOR ASSEMBLY	520135-6	592E25-3

Above parts are completely interchangeable as a set.